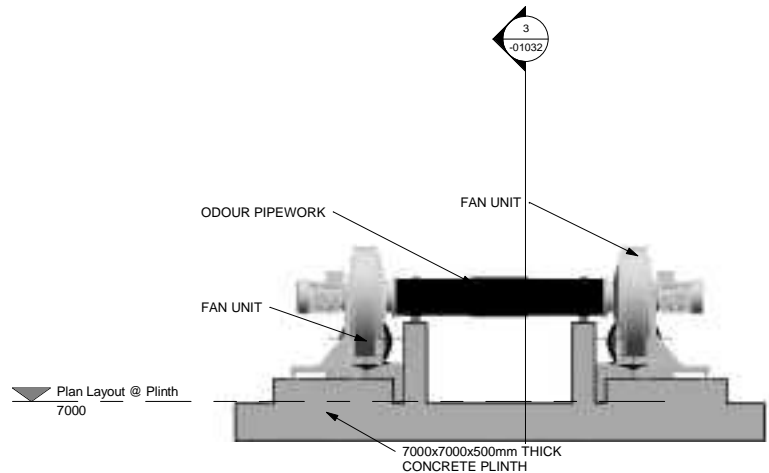
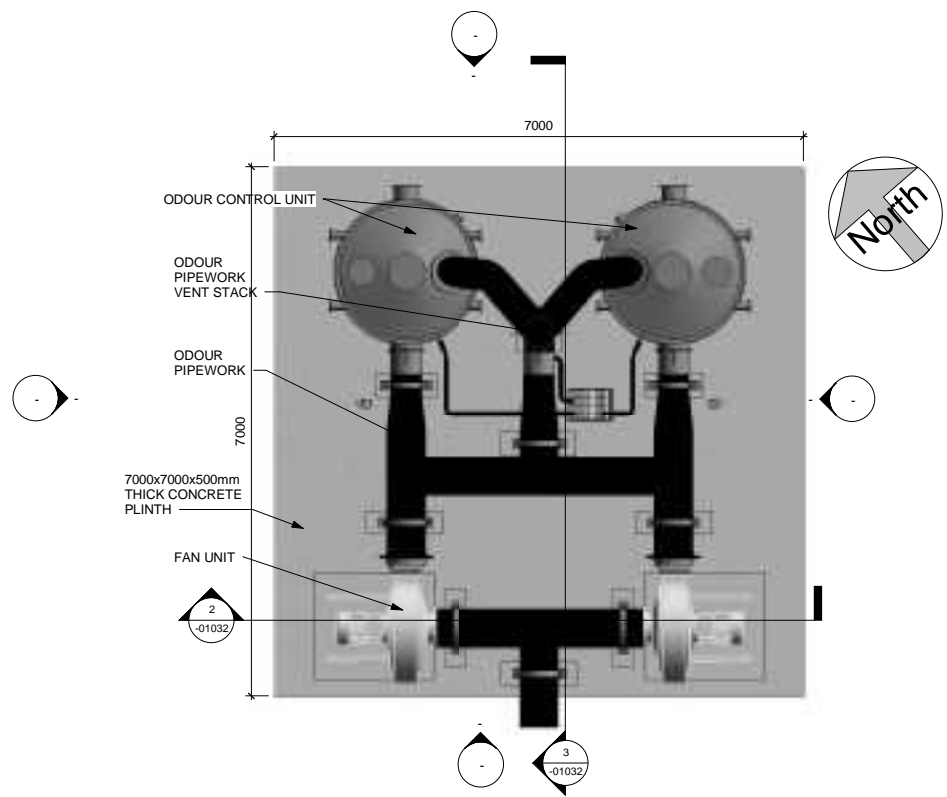


Copyright  
 This drawing and any design here on is the copyright of the Consultants and must not be reproduced without their written consent.  
 All drawings remain the property of the Consultants.

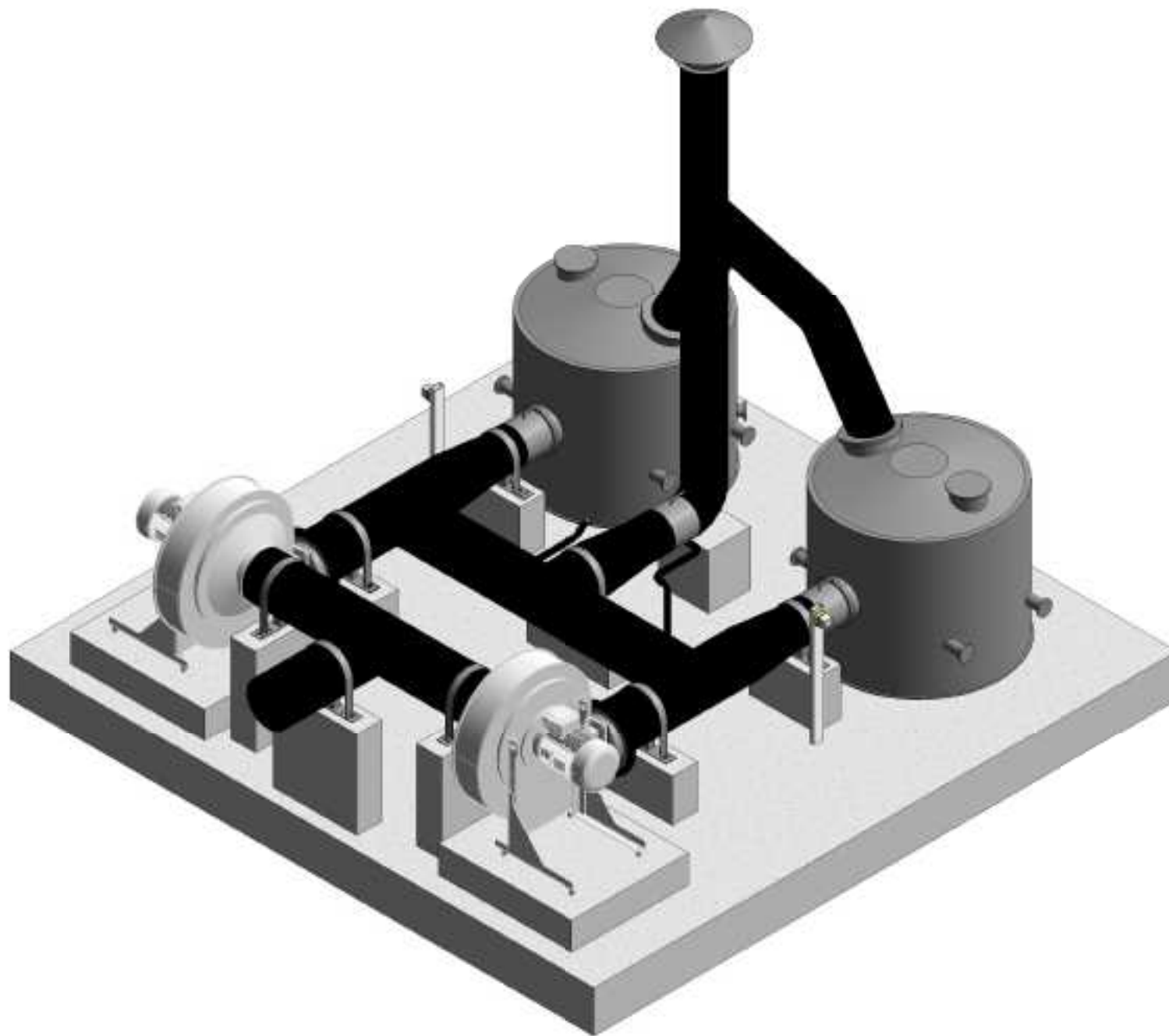
THIS DRAWING TO BE READ IN CONJUNCTION WITH ALL RELEVANT ARCHITECTS AND ENGINEERS DRAWINGS.  
 FIGURED DIMENSIONS ONLY TO BE TAKEN FROM THIS DRAWING.  
 ALL LEVELS ARE IN METRES AND RELATE TO DATUM AT MALIN HEAD.

THIS DRAWING IS REPRODUCED FROM DIGITAL MAPS:  
 O.S. MAPS - Scale 1:2,500  
 O.S. MAPS - Scale 1:1,000  
 DISCOVERY SERIES - Scale 1:50,000

ALL MAPS ARE REFERENCED TO IRISH NATIONAL GRID (I.T.M.)  
 REPRODUCED FROM THE ORDNANCE SURVEY OF IRELAND BY PERMISSION OF THE GOVERNMENT. LICENSE NO. 3-3-34.  
 THIS DRAWING IS A COPY OF AN ELECTRONIC FILE AND IS COPYRIGHT.  
 ALL DIMENSIONS TO BE CHECKED ON SITE.  
 ALL MATERIALS AND WORKMANSHIP TO BE IN ACCORDANCE WITH ENGINEERS SPECIFICATION.  
 IT IS THE CONTRACTORS RESPONSIBILITY TO VERIFY ALL DIMENSIONS AND LEVELS PRIOR TO COMMENCEMENT OF CONSTRUCTION.



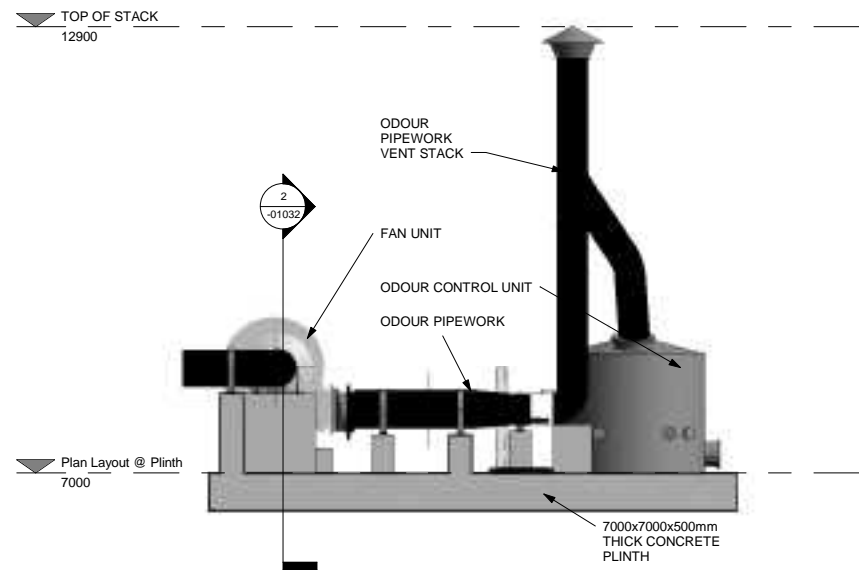
2 Section 1  
1: 50



4 3D View of OCU No-2

DO NOT SCALE REDUCED COPY -A3 PRINT

1 Plan Layout @ Plinth  
1: 50



3 Section 2  
1: 50


C01	A1	ISSUED FOR E.I.A.R.	PJ	28-02-23
Rev:	Suit:	Revision Description	Checked:	Date:

Client:

UISCE  
 EIREANN - IRISH  
 WATER

Project:  
**CASTLETROY WASTEWATER  
 TREATMENT PLANT**

Clients Representative:  
**J. B. Barry and Partners Limited**  
 Consulting Engineers

Classon House  
 Dundrum Business  
 Park Dundrum Road  
 Dublin 14

Tel: +353 1 485 1400  
 email: info@jbbarry.ie  
 web: www.jbbarry.ie

Drawn By:	LHA	Date:	06/12/22
Checked By:	PH	Date:	06/12/22
Approved by:	PJ	Date:	06/12/22
Internal Project No.	20701-JBB-00-XX-DR-Z	Stage	E.I.A.R.

Drawing Title:  
**PROPOSED ODOUR CONTROL  
 UNIT No-2 PLAN AND SECTIONS**

Scales: 1: 50

Drawing No:	Sheet No:	Revision:	Suitability:
20701-JBB-00-XX-DR-Z	-01032	C01	

O:20 Project:20701 - Castletroy WTP (Gale 2-4000) WPP Design E.I.A.R. Drawings-March 2023/20701-JBB-00-XX-DR-Z-01032-Proposed Odour Control Unit No-2.rvt